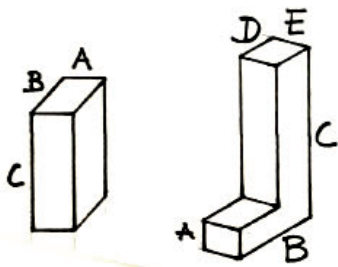
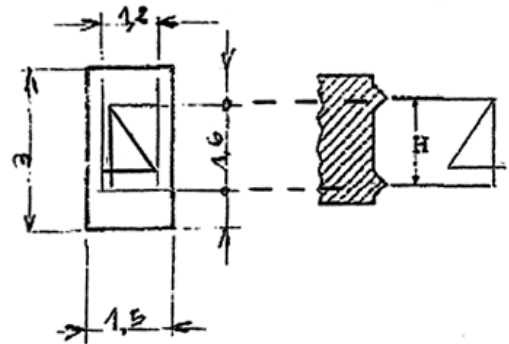


TECHNICAL CARD FOR YOUR ENQUIRY
IN ORDER TO MEET QUICKLY YOUR REQUEST WE NEED THE FOLLOWING INFORMATION

Size to be indicated



Font dimension



ATTENTION: It's possible to have different font dimension on steel types having the same dimension.

Right sight character



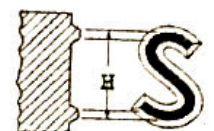
Left sight character



Engraving with sharp face



Engraving with flat face



OUR TYPES ARE IN STEEL 90MnCrV8 TEMPERED (56 - 60 HRC) AND TOLERANCE $\pm 0,015$
OUR TYPES IN BRASS OT58 EN12164 ARE MAINLY USED FOR HOT PRINTING

ATTENTION : IF THE PART IS WORN IT CAN HAVE THE SHAPE OF A FLAT ONE. PLS USE ALWAYS A NEW ONE